



Since -1984

2023

FANS & MOTORS



CE

UL US



Cooling System To Rely On

Rexnord Electronics & Controls Ltd.

H.O.: 92 - D, Govt. Indl. Est., Charkop, Kandivali (w), Mumbai - 400 067, INDIA.

E mail : info@rexnordindia.com

www.rexnordindia.com



Company's Profile

REXNORD is Manufacturing Fans & Motors since 1984 and constantly Upgrading its quality and increasing its production by automation, in order to Compete in price with quality products.

- **38 Years** Experience in Manufacturing Fans & Motor
- Year 1984 : REXNORD (Established)
- Item : **AC Axial DC Brushless EC Fan & Motor BLDC Motor,**
- Year 1994 : REXNORD was Stock Listed
- Year 1997 : Got UL & CE approval
- Year 1998 : Started manufacturing Shaded Pole Motors
- Year 1998 : Got Award Excellency in Export
- Year 2012 : Constructed 10,000 square meters Building
- Year 2013 : Implemented SAP
- Year 2014 : Started manufacturing External Rotor Motors & Metal Blade fans
- Year 2015 : Started manufacturing Energy Saving Fans and Motors
- Year 2015 : Received ONE STAR Export House certificate
- Year 2017 : Tool Room Modernize
- Year 2018 : ISO 9001-2015 Certification
- Year 2018 : Started manufacturing BLDC Motor
- Year 2019 : Atex Approval
- Year 2022 : Under Construction 8000 square meters
- Other features : Manufacturing capacity 5 million Motors.
Utilized capacity 3 million Motors.
80% Local sale and 20% Export.



Office



Factory



Export Award

Model No.	Part Code	Bearing	Voltage	Frequency	Current	Input Power	Speed	Air Flow	Noise
	No.	○ Sleeve ● Ball	VAC	Hz	A	W	RPM	CFM	dB(A)

Aluminium Housing With Plastic Impeller

120 x 120 x 38 mm

REC - 22038 A2 T	AC001	○	230	50	0.11	18	2650	100	40
REC - 22038 B2 T	AC004	●	230	50	0.11	18	2700	100	40
REC - 22038 A2 W	AC002	○	230	50	0.11	18	2650	100	40
REC - 22038 B2 W	AC005	●	230	50	0.11	18	2700	100	40



4"



6"



6"



8"



8"

Ø172 x 150 x 51 mm

REC - 21725 A2 W	AC061	○	230	50	0.18	27	2600	200	50
REC - 21725 B2 W	AC062	●	230	50	0.18	27	2650	200	50

172 x 172 x 55 mm

REC - 27255 - A2W - AM	AC091	○	230	50	0.18	27	2600	200	50
REC - 27255 - B2W - AM	AC092	●	230	50	0.18	27	2650	200	50

Ø 220 x 60 mm

REC - 22060R A2 W	AC103	○	230	50	0.34	47	2250	390	55
REC - 22060R B2 W	AC101	●	230	50	0.34	47	2300	390	55

220 x 220 x 60 mm

REC - 22060S - A2W - AL	AC111	○	230	50	0.34	47	2200	390	55
REC - 22060S - B2W - AL	AC112	●	230	50	0.34	47	2250	390	55

(R - Round Housing) (S - Square Housing) (2 - 230 Volt) (A : B : - Sleeve / Ball Bearing) (T : W : - Terminal / Lead Wire)
(A - Aluminium Housing) (M : L : - Mid / Low Speed)

Aluminium Housing With Metal Impeller

120 x 120 x 38 mm

REC-12038 B2 T-MB	AC041	●	230	50	0.14	22	2700	105	41
REC-12038 B2 W-MB	AC042	●	230	50	0.14	22	2700	105	41



4"



6"



8"

Ø172 x 150 x 55 mm

REC - 15055 B2 - MB	AC081	●	230	50	0.27	38	2750	200	50
---------------------	-------	---	-----	----	------	----	------	-----	----

225 x 225 x 80 mm

REC - 22580 B2 - MB	AC131	●	230	50	0.25	59	2650	550	56
---------------------	-------	---	-----	----	------	----	------	-----	----



10"

280 x 280 x 80 mm

REC - 28080 B2 - MB	AC141	●	230	50	0.43	99	2650	1100	58
---------------------	-------	---	-----	----	------	----	------	------	----

(B : - Ball Bearing) (2 - 230 Volt) (T : W : - Terminal / Lead Wire) (MB : - Metal Blades)

AC AXIAL VENTILATING FAN

Model No.	Part Code	Bearing	Voltage	Frequency	Current	Input Power	Speed	Air Flow	Noise
	No.	○ Sleeve ● Ball	VAC	Hz	A	W	RPM	CFM	dB(A)

Aluminium Housing With Plastic Impeller



172 x 172 x 55 mm

REC - 27255 - A2W - AM	AC093	○	230	50	0.18	27	2600	200	50
REC - 27255 - B2W - AM	AC094	●	230	50	0.18	27	2650	200	50



220 x 220 x 60 mm

REC - 22060S - A2W - AL	AC113	○	230	50	0.34	47	2200	390	55
REC - 22060S - B2W - AL	AC114	●	230	50	0.34	47	2250	390	55

(A : B :- Sleeve / Ball Bearing) (2 - 230 Volt) (W - Lead Wire) (A - Aluminium Housing) (M : L :- Mid / Low Speed)



Model No.	Part Code	Air Flow	Bearing	Voltage	Frequency	Current	Input Power	Speed	Air Flow
	No.	← V A →	○ Sleeve ● Ball	VAC	Hz	A	W	RPM	CFM

Metal Housing With Aluminium Impeller Ø254 & Finger Guard



325 x 325 x 60 mm

REC - 32560 - S2W - MLA	AC182	Throw	○	230	50	0.333	45.5	1400	450
REC - 32560 - S2W - MLV	AC183	Suction	○	230	50	0.333	45.5	1400	450



(S - Sleeve) (2 - 230 Volt) (W - Lead Wire) (M - Metal Housing) (L - Low Speed) (A : V :- Throw / Suction)

EXTERNAL ROTOR FAN



Model No.	Part Code	Air Flow	Bearing	Voltage	Frequency	Current	Input Power	Speed	Air Flow
	No.	← V A →	○ Sleeve ● Ball	VAC	Hz	A	W	RPM	CFM

Metal Housing With Metal Impeller Ø254 & Finger Guard



325 x 325 x 60 mm

REC - 32560 - B2W - MLA	AC162	Throw	●	230	50	0.150	32	1500	600
-------------------------	-------	-------	---	-----	----	-------	----	------	-----



325 x 325 x 60 mm

REC - 32560 - B2W - MLV	AC164	Suction	●	230	50	0.150	32	1500	600
-------------------------	-------	---------	---	-----	----	-------	----	------	-----

(B - Ball Bearing) (2 - 230 Volt) (W - Lead Wire) (M - Metal Housing) (M : L :- Mid / Low Speed) (V :- Suction)

Note : Box Packing



3"



4"



6"



8"



2 1/2"



3"



3 1/2"



4"

Model No.	Part Code	Bearing	Voltage	Frequency	Current	Input Power	Speed	Air Flow	Noise

Aluminium Housing With Plastic Impeller



80 x 80 x 25 mm

EC - 8025-S2W-AH	EC004	○	230	50/60	0.033	3.3	4000	36	28
EC - 8025-B2W-AH	EC005	●	230	50/60	0.033	3.3	4050	36	28

120 x 120 x 38 mm

EC - 12038-S2W-AM	EC032	○	230	50/60	0.050	6.0	2900	110	41
EC - 12038-B2W-AM	EC034	●	230	50/60	0.050	6.0	2950	110	41
EC - 12038-S0W-AH	EC021	○	110~230	50/60	0.060	5.0	3000	120	41
EC - 12038-B0W-AH	EC022	●	110~230	50/60	0.060	5.0	3050	120	41
EC - 12038-B0W-AH01	EC023	●	110~230	50/60	0.090	7.5	3300	130	43
EC - 12038-B0W-AH02	EC024	●	110~230	50/60	0.095	8.0	3600	140	45

Ø172 x 150 x 51 mm

EC - 17251-S2W-AM	EC063	○	230	50/60	0.115	14.2	2600	200	50
EC - 17251-B2W-AM	EC064	●	230	50/60	0.106	13.4	2650	200	50
EC - 17251-B0W-AH	EC061	●	110~230	50/60	0.120	14.6	3000	230	50
EC - 17251-B0W-AH01	EC062	●	110~230	50/60	0.120	14.6	3600	270	50

Ø 220 x 60 mm

EC - 22060R-S0W-AL	EC072	○	110~230	50/60	0.169	20.3	2200	390	55
EC - 22060R-B0W-AL	EC073	●	110~230	50/60	0.169	20.3	2250	390	55
EC - 22060R-B0W-AM	EC074	●	110~230	50/60	0.192	23.1	2500	445	56
EC - 22060R-B0W-AH	EC075	●	110~230	50/60	0.200	28.0	3000	530	58

(R - Round Housing) (S : B :- Sleeve / Ball Bearing) (2 : 0 :- 230 / 110-230 Volt) (W - Lead Wire) (A - Aluminium Housing) (L : M : H 1-2-3 :- Low / Mid / High Speed)

Plastic Housing With Plastic Impeller

60 x 60 x 25 mm

EC - 6025-S2W-PH	EC111	○	230	50/60	0.05	2.5	5000	18	15
EC - 6025-B2W-PH	EC112	●	230	50/60	0.05	2.5	5050	18	15

80 x 80 x 25 mm

EC - 8025-S2W-PH	EC006	○	230	50/60	0.033	3.3	4000	36	28
EC - 8025-B2W-PH	EC007	●	230	50/60	0.033	3.3	4050	36	28

92 x 92 x 25 mm

EC - 9225-S2W-PH	EC009	○	230	50/60	0.038	4.0	3500	70	40
EC - 9225-B2W-PH	EC010	●	230	50/60	0.038	4.0	3550	70	40

120 x 120 x 38 mm

EC - 12038-S2W-PM	EC042	○	230	50/60	0.050	6.0	2900	110	41
EC - 12038-B2W-PM	EC044	●	230	50/60	0.050	6.0	2950	110	41
EC - 12038-S0W-PH	EC083	○	110~230	50/60	0.060	5.0	3000	120	41
EC - 12038-B0W-PH	EC082	●	110~230	50/60	0.060	5.0	3050	120	43
EC - 12038-B0W-PH01	EC085	●	110~230	50/60	0.090	7.5	3300	130	43
EC - 12038-B0W-PH02	EC088	●	110~230	50/60	0.095	8.0	3600	140	44

(S : B :- Sleeve / Ball Bearing) (2 : 0 :- 230 / 110-230 Volt) (W - Lead Wire) (P - Plastic Housing) (M : H 1-2-3 :- Mid / High Speed)



Model No.	Part Code	Bearing	Voltage	Frequency	Current	Input Power	Speed	Air Flow	Noise
No.		○ Sleeve ● Ball	VAC	Hz	A	W	RPM	CFM	dB(A)

Aluminium Housing with Plastic Impeller & Finger Guard



172 x 172 x 55 mm

EC - 27255- S2W- AL	EC065	○	230	50	0.060	6.0	2000	154	40
---------------------	-------	---	-----	----	-------	-----	------	-----	----



220 x 220 x 60 mm

EC - 22060- S2W- AL	EC076	○	230	50	0.070	7.2	1500	257	40
---------------------	-------	---	-----	----	-------	-----	------	-----	----



(S : B :- Sleeve / Ball Bearing) (2 - 230 Volt) (W - Lead Wire) (A - Aluminium Housing) (L - Low Speed)

Plastic Housing with Plastic Impeller & Finger Guard

120 x 120 x 38 mm

EC - 22038- S2W- PL	EC086	○	230	50	0.037	4.1	2650	100	41
---------------------	-------	---	-----	----	-------	-----	------	-----	----



172 x 172 x 55 mm

EC - 27255- S2W- PL	EC067	○	230	50	0.060	6.0	2000	154	40
---------------------	-------	---	-----	----	-------	-----	------	-----	----



220 x 220 x 60 mm

EC - 22060- S2W- PL	EC078	○	230	50	0.070	7.2	1500	257	40
---------------------	-------	---	-----	----	-------	-----	------	-----	----



(S : B :- Sleeve / Ball Bearing) (2 - 230 Volt) (W - Lead Wire) (P - Plastic Housing) (L - Low Speed)

Model No.	Part Code	Air Flow	Bearing	Voltage	Frequency	Current	Input Power	Speed
No.		↔ V A ↔	○ Sleeve ● Ball	VAC	Hz	A	W	RPM

Metal Housing With Aluminium Impeller Ø254 & Finger Guard

325 x 325 x 60 mm

EC - 32560- B0W- MLA	EC091	Throw	●	110~230	50	0.187	24.7	1450
EC - 32560- B0W- MLV	EC092	Suction	●	110~230	50	0.187	24.7	1450



(B - Ball Bearing) (0 : - 110-230 Volt) (W - Lead Wire) (M - Metal Housing) (L - Low Speed) (A : V :- Throw / Suction)

Model No.	Part Code	Bearing ○ Sleeve ● Ball	Voltage	Current	Input Power	Speed	Air Flow	Noise
			VDC	A	W	RPM	CFM	dB(A)

Plastic Housing With Plastic Impeller

60 x 60 x 25 mm

REC - 6025-A12W-PH	DC001	○	12	0.12	1.44	3500	18	25
REC - 6025-A24W-PH	DC002	○	24	0.06	1.44	3500	18	25

80 x 80 x 25 mm

REC - 8025-A12W-PH	DC015	○	12	0.18	2.2	3300	42	30
REC - 8025-A24W-PH	DC016	○	24	0.08	1.92	3000	40	30

92 x 92 x 25 mm

REC - 9225-A12W-PM	DC021	○	12	0.16	1.92	2800	55	36
REC - 9225-A24W-PM	DC022	○	24	0.09	2.16	2700	55	36

120 x 120 x 38 mm

REC - 12038-A12W-PH	DC041	○	12	0.36	4.4	3000	120	42
REC - 12038-B12W-PH	DC044	●	12	0.36	4.4	3050	120	42
REC - 12038-A24W-PH	DC042	○	24	0.15	3.6	3000	120	42
REC - 12038-B24W-PH	DC045	●	24	0.15	3.6	3050	120	42
REC - 12038-B24W-PH01	DC047	●	24	0.27	6.5	3600	140	45
REC - 12038-B48W-PH	DC048	●	48	0.27	13.2	4200	160	48

(A : B :- Sleeve / Ball Bearing) (12 : 24 : 48 :- VDC) (W - Lead Wire) (P - Plastic Housing) (M : H 1-2-3 :- Mid / High Speed)

Aluminium Housing With Plastic Impeller

120 x 120 x 38 mm

REC - 12038-A12W-AH	DC031	○	12	0.36	4.4	3000	120	42
REC - 12038-B12W-AH	DC034	●	12	0.36	4.4	3050	120	42
REC - 12038-A24W-AH	DC032	○	24	0.15	3.6	3000	120	42
REC - 12038-B24W-AH	DC035	●	24	0.15	3.6	3050	120	42
REC - 12038-B24W-AH01	DC038	●	24	0.27	6.5	3600	140	45
REC - 12038-B48W-AH	DC037	●	48	0.27	13.2	4200	160	48

Ø172 x 150 x 51 mm

REC - 17251-B24W-AH	DC051	●	24	0.56	13.4	3000	370	55
REC - 17251-B24W-AH01	DC053	●	24	0.67	16.2	3500	450	58
REC - 17251-B48W-AH	DC055	●	48	0.36	17.5	3500	450	58

Ø220 x 60 mm

REC - 22060-B24W-AM	DC071	●	24	1.0	24.0	2600	410	60
REC - 22060-B24W-AH	DC073	●	24	1.6	38.0	3000	480	65
REC - 22060-B48W-AH	DC074	●	48	0.8	38.0	3000	480	65

(A : B :- Sleeve / Ball Bearing) (12 : 24 : 48 :- VDC) (W - Lead Wire) (A - Aluminium Housing) (M : H 1-2-3 :- Mid / High Speed)



2 1/2"



3"



3 1/2"



4"



4"



6"



8"

MOTOR (C FRAME TYPE)

Model No.	Part Code	Air Flow	Rotation	Voltage	Frequency	Current	Input Power	Speed
	No.	$\leftarrow \frac{V}{A} \rightarrow$		VAC	Hz	A	W	RPM

No Load Parameter

61 x 61 x 10 mm

REC - 6110 A2	CM001		CW	230	50	0.067	5.5	2900
---------------	-------	--	----	-----	----	-------	-----	------

Plastic Impeller	PI001	A	Ø 100 mm
------------------	-------	---	----------

Plastic Impeller	PI002	V	Ø 100 mm
------------------	-------	---	----------

Metal Stand Length	MS001		101 mm
--------------------	-------	--	--------



61 x 61 x 20 mm Front Mounting

REC - 6120 A2	CM052		CCW	230	50	0.135	13.6	2800
---------------	-------	--	-----	-----	----	-------	------	------

61 x 61 x 20 mm Back Mounting

REC - 6120 A2	CM051		CCW	230	50	0.135	13.6	2800
---------------	-------	--	-----	-----	----	-------	------	------

61 x 61 x 25 mm Back Mounting

REC - 6125 A2	CM062		CCW	230	50	0.219	18.9	2900
---------------	-------	--	-----	-----	----	-------	------	------

61 x 61 x 25 mm Back Mounting D Cut Shaft

REC - 6125 A2	CM061		CW	230	50	0.219	18.9	2900
---------------	-------	--	----	-----	----	-------	------	------



(A : - Sleeve) (2 - 230 Volt) (A : V : - Throw / Suction)

BLDC MOTOR

Model No.	Part Code	Air Flow	Rotation	Voltage	Output Power	Current	Input Power	Speed
	No.	$\leftarrow \frac{V}{A} \rightarrow$		VDC	V	A	W	RPM

No Load Parameter

REC - 6120 A12-02	BLDC001		CW	12	2	0.062	0.74	3750
-------------------	---------	--	----	----	---	-------	------	------

REC - 6120 A12-06	BLDC002		CW	12	6	0.060	0.70	3750
-------------------	---------	--	----	----	---	-------	------	------

Plastic Impeller	PI001	A	Ø 100 mm
------------------	-------	---	----------

Plastic Impeller	PI002	V	Ø 100 mm
------------------	-------	---	----------

Plastic Impeller	PI005	A	Ø 110 mm
------------------	-------	---	----------

Connector with Wire	CW001		Length 370 mm
---------------------	-------	--	---------------



(A : - Sleeve) (12 - 12 VDC) (02 : 06 : - 2 Watt / 6 Watt) (A : V : - Throw / Suction)

Model No.	Part Code	Output Power	Rotation	Bearing	Voltage	Frequency	Current	Input Power	Speed
	No.			○ Sleeve ● Ball	VAC	Hz	A	W	RPM

No Load Parameter



83 x 83 x 13 mm

REC - 8313 - 05 A2	QM001	5	CCW	○	230	50	0.206	26.3	1450
--------------------	-------	---	-----	---	-----	----	-------	------	------



83 x 83 x 20 mm

REC - 8320 - 10 A2	QM041	10	CCW	○	230	50	0.261	32.1	1450
--------------------	-------	----	-----	---	-----	----	-------	------	------



83 x 83 x 25 mm

REC - 8325 - 16 A2	QM081	16	CCW	○	230	50	0.516	62.0	1450
--------------------	-------	----	-----	---	-----	----	-------	------	------



83 x 83 x 30 mm

REC - 8330 - 18 A2	QM101	18	CCW	○	230	50	0.364	37.5	1450
--------------------	-------	----	-----	---	-----	----	-------	------	------



83 x 83 x 40 mm

REC - 8340 - 25 A2	QM111	25	CCW	○	230	50	0.457	48.9	1450
--------------------	-------	----	-----	---	-----	----	-------	------	------



83 x 83 x 45 mm

REC - 8345 - 34 A2	QM131	34	CCW	○	230	50	0.604	63.8	1450
--------------------	-------	----	-----	---	-----	----	-------	------	------

REC - 8345 - 34 B2	QM135	34	CCW	●	230	50	0.589	58.3	1450
--------------------	-------	----	-----	---	-----	----	-------	------	------



83 x 83 x 45 mm (D Cut Shaft)

REC - 8345 - 34 B2	QM132	34	CCW	●	230	50	0.589	58.3	1450
--------------------	-------	----	-----	---	-----	----	-------	------	------

(A : B : - Sleeve / Ball Bearing) (2 - 230 Volt)

EC Motor (ENERGY SAVING)

Model No.	Part Code	Rotation	Bearing	Voltage	Frequency	Current	Input Power	Speed
	No.		○ Sleeve ● Ball	VAC	Hz	A	W	RPM

No Load Parameter



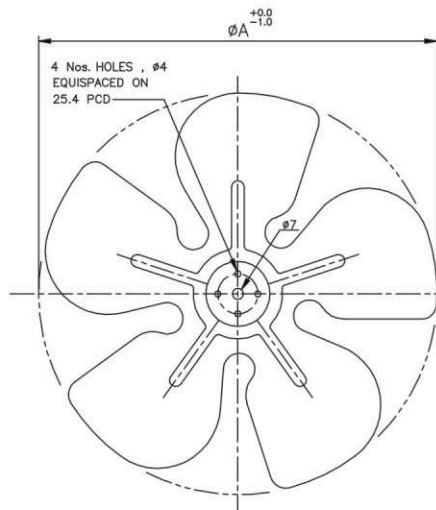
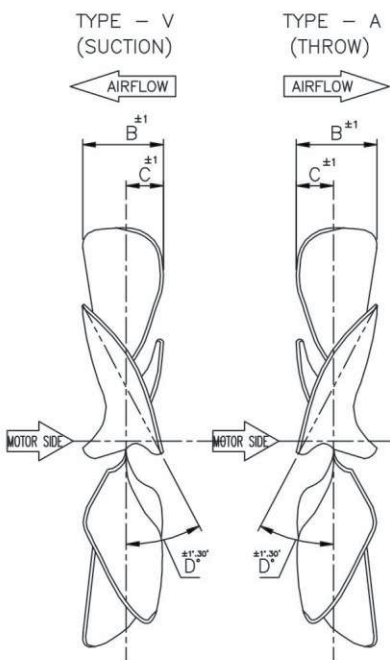
EC - 3612 - B0W - PL	EC101	CCW	●	110~230	50/60	0.03	2.8	1500
----------------------	-------	-----	---	---------	-------	------	-----	------

Note : Fan Blade can be Used Ø 200, 230, 254 mm

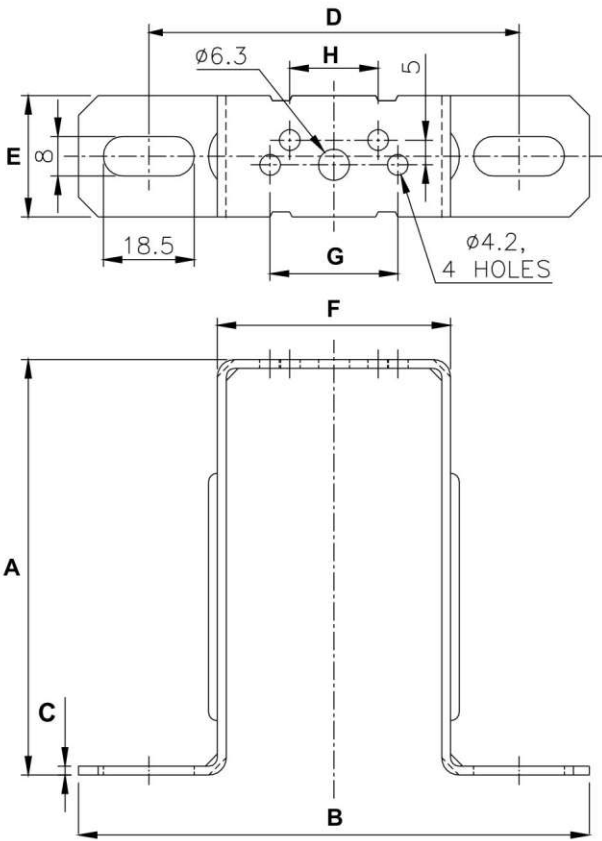
(B - Ball Bearing) (0 - 110~230 Volt) (W - Lead Wire) (P - Plastic Housing) (L - Low Speed)

*** ALL DIMENSIONS ARE IN MM**

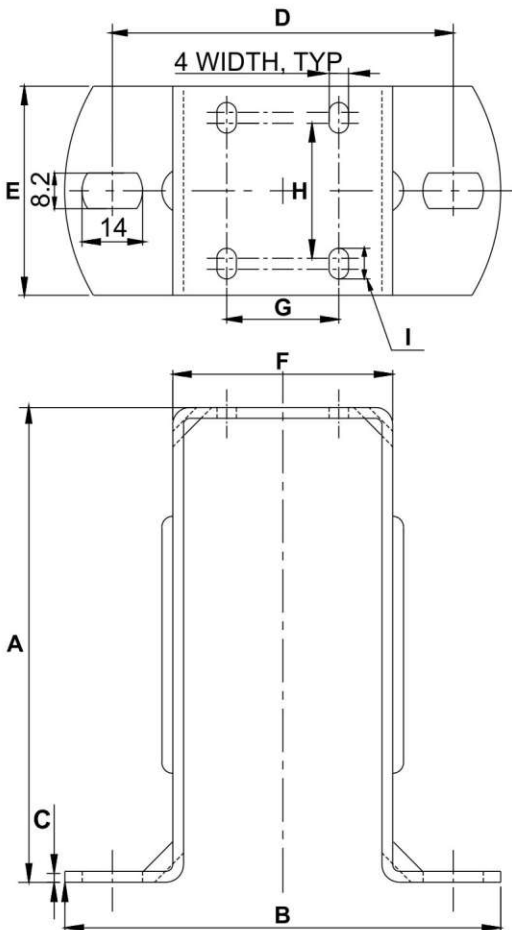
Part Code	Part Code	IMPELLER	Ø	Ø	Ø
V - Suction	A - Throw	ANGLE D° ± 1.30	+0.0 -1.0 A	± 1 B	± 1 C
AI 015	AI 020	34°	154	39.0	18.0
AI 019	Not Available	34°	172	43.0	19.0
AI 014	AI 001	28°	200	37.0	19.0
AI 013	Not Available	34°	200	45.0	20.0
AI 016	Not Available	22°	230	34.0	14.0
AI 003	AI 002	28°	230	42.0	20.0
AI 004	Not Available	34°	230	48.0	24.0
AI 017	Not Available	22°	254	36.0	14.0
AI 006	AI 005	28°	254	43.0	22.0
AI 007	AI 012	34°	254	52.0	25.0
AI 009	AI 008	28°	300	52.0	28.0



FAN	Model / Watt a°	6120 4 W	6125 5 W	8313 5 W	8320 7 W	8320 10 W	8325 16 W	8330 18 W	8340 25 W	8345 34 W
Ø 125	26°									
Ø 150	28°		28°							
Ø 154				34°						
Ø 172				34°						
Ø 200				28°	34°	34°				
Ø 230					28°	28°	34°	34°		
Ø 254						22°	28°	28°	34°	34°
Ø 300									28°	28°



Metal Stand Part No.	Suitable To Model	Weight gram	Dimension							
			A	B	C	D	E	F	G	H
MS002	8313-05 A2	76.0	72	109.5	1.8	81	24.5	51	26	18
MS003	8320-07 A2	82.0	84	104	1.8	75.4	24.5	47.5	26	18
	8320-10 A2									



Metal Stand Part No.	Suitable To Model	Weight gram	Dimension								
			A	B	C	D	E	F	G	H	I
MS004	8325-16 A2	226	109	101	2.5	79	39	56	26	14.5	12
	8330-18 A2										
MS005	8340-25 A2	260	109	101	2.5	79	48	51	26	31	7
	8345-34 A2										



Since - 1984

World Wide Presence



Presence in India



World Wide Presence



Presence in India

Ahmedabad	Bhubaneswar	Gandhidham	Kanpur	Patna	Rishikesh
Ahmednagar	Chandigarh	Faridabad	Kolkata	Panipat	Secunderabad
Amritsar	Chennai	Goa	Kolhapur	Palghar	Silvassa
Amreli	Coimbatore	Gurugram	Ludhiana	Ponducherry	Surat
Ankleshwar	Cochin	Guwahati	Lucknow	Pune	Trivandrum
Aurangabad	Daman	Hyderabad	Mumbai	Raipur	Udaipur
Baddi	Dehradun	Indore	Navi Mumbai	Rourkela	Viluppuram
Baroda	Delhi	Jaipur	Nashik	Rajkot	Visakhapatnam
Bangalore	Ernakulam	Jamshedpur	Noida	Ranchi	